

# RIPATON

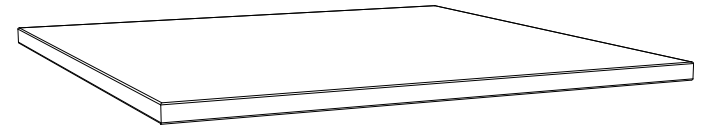
# L'Idéal

## NECESSARY TOOLS :

- Screwdriver
- Measuring tape
- 2 Hands

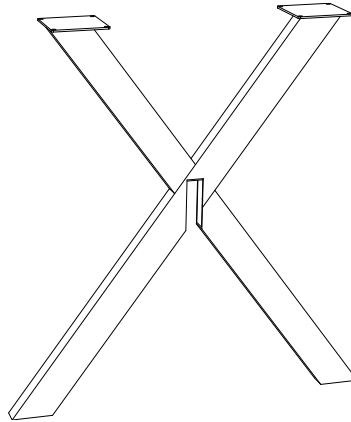
A

A square table top from 70 to 80cm or a round table top from 70 to 90cm diameter (not provided)



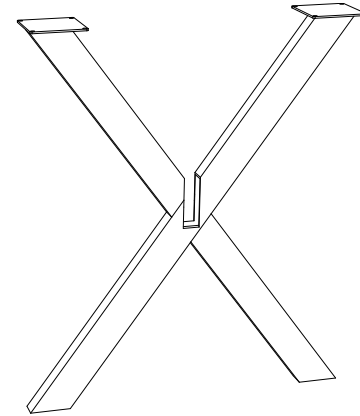
B

Table leg A



C

Table leg B



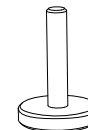
D

Wood screws x16



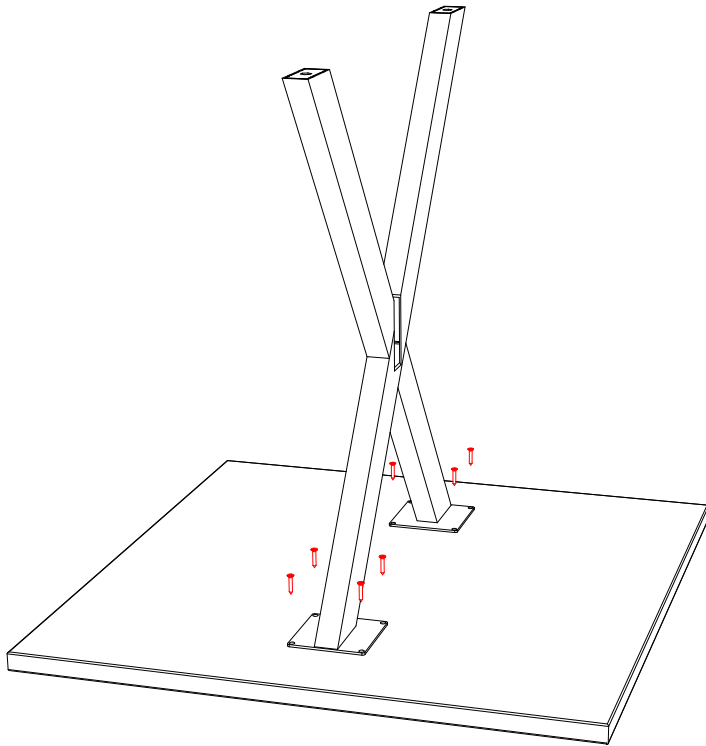
E

Adjustable skids x4



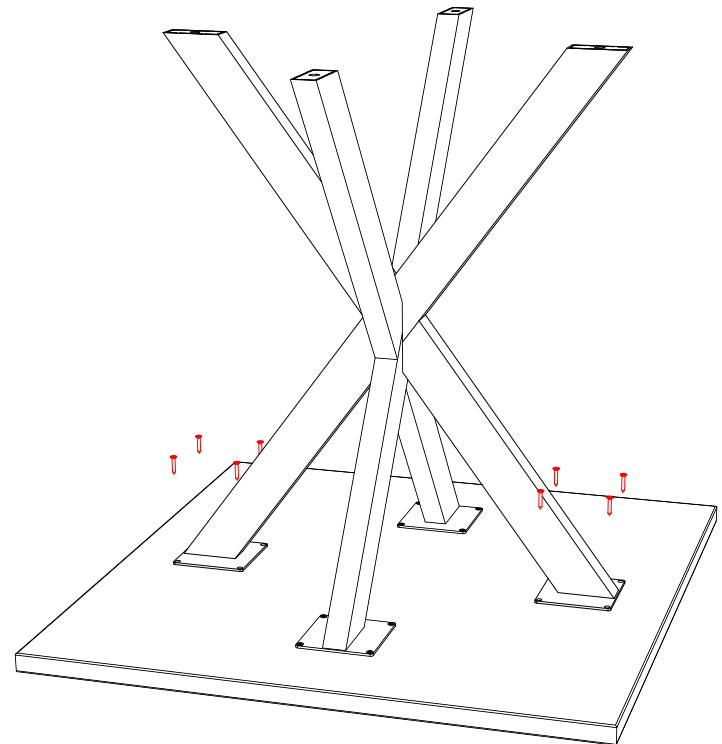
# 1

Flip your table top **A** face down on the floor. Then, position your first table leg **B** at the center and screw in.



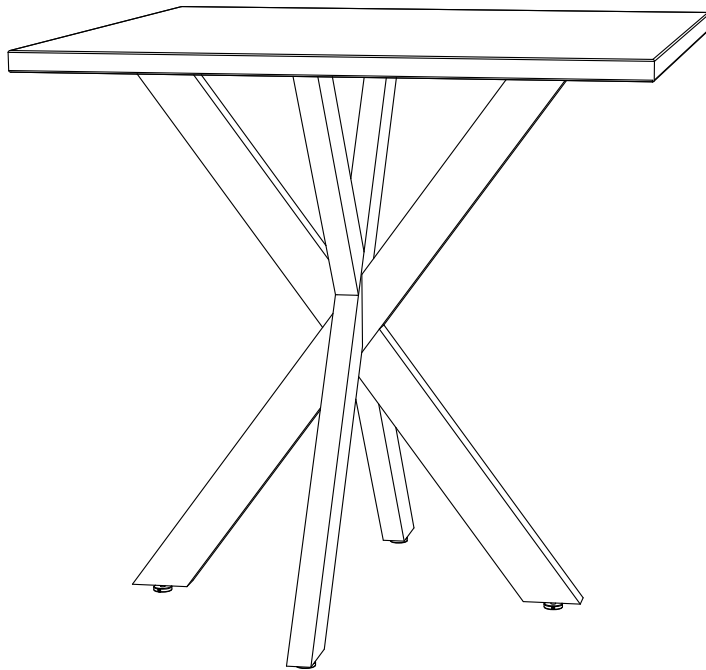
# 2

Place your second table leg **C** perpendicularly to the first one and screw in.

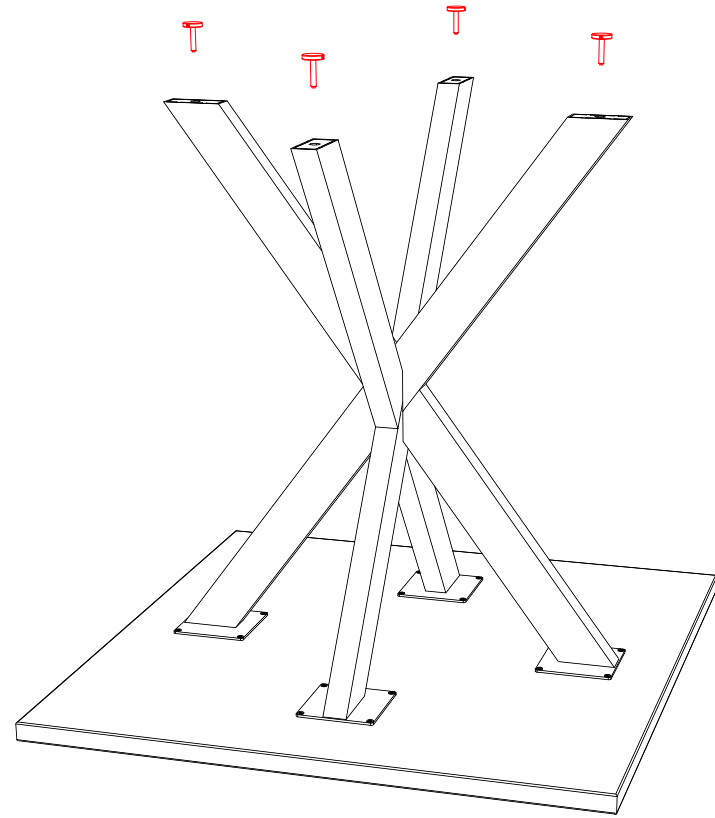


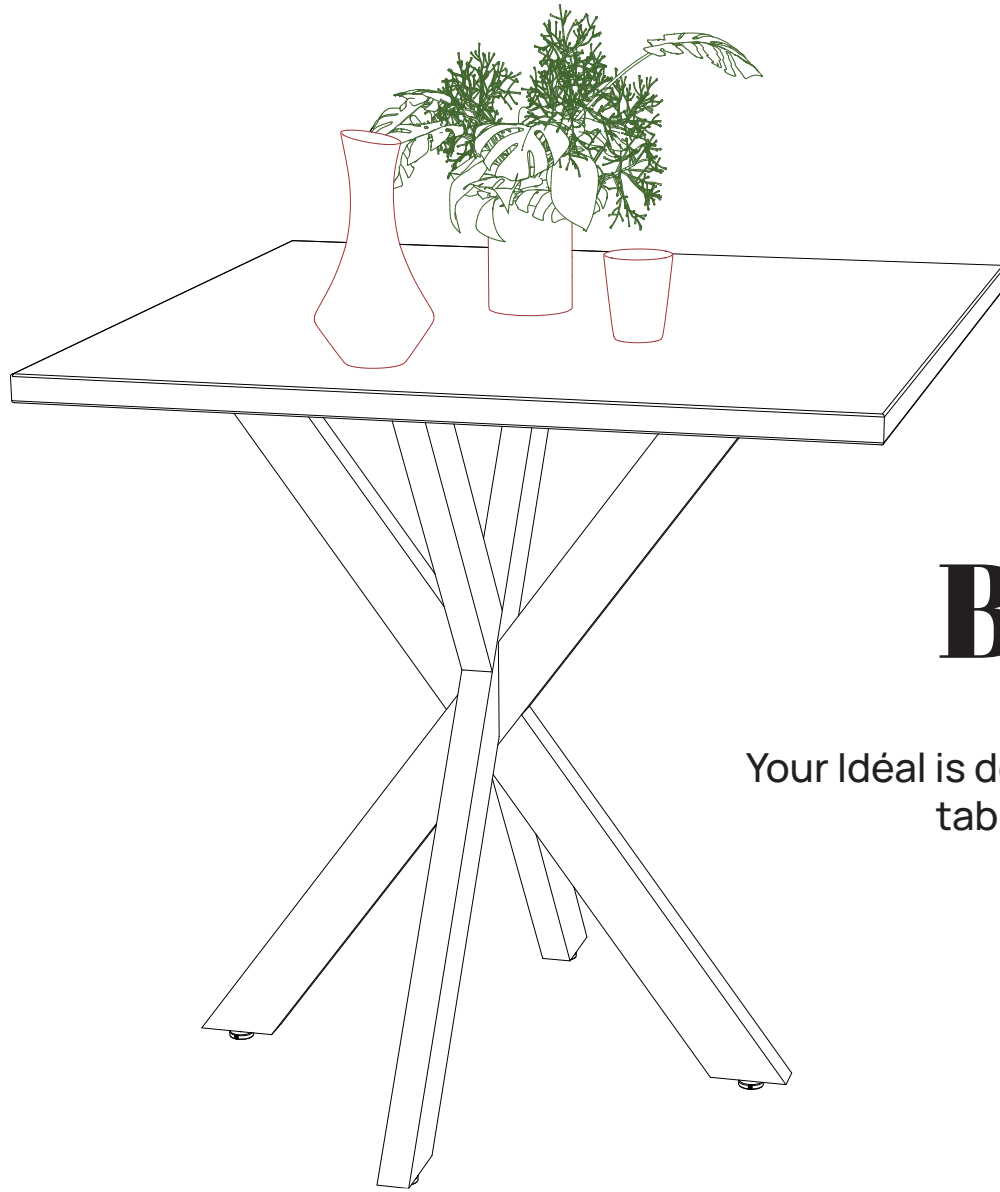
3

Insert the adjustable skids **E**  
under each table leg.



180°





# Bravo!

Your Idéal is done! Remember to treat your table top to protect it.